

LED Multi Watt Multi CCT Troffer Family Series



1x4

15W, 19W, 24W and 29W



2x2

15W, 19W, 24W and 29W



2x4

24W, 29W, 32W and 39W

CONSTRUCTION:

Steel and Aluminum frame. Matte white finish. The entire fixture functions as a heat sink to keep the LEDs cooler to prolong the life of the light.

OPTICAL SYSTEM:

Samsung 2835 LED chips. 110° beam angle.

WARRANTY:

5-year limited warranty. Actual performance may differ as a result of end-user environment and application.

ELECTRICAL:

120-277V input standard.
-20°C to 50°C, -4°F to 122°F

INSTALLATION & MOUNTING:

Fits most preexisting troffers. Surface mount kit and recessed kit.

CONTROLS & DIMMING:

0-10V dimming comes standard. Suitable for use with LED dimmers.

FEATURES

- Default Wattage:
 - 2x4 – 39W
 - 2x2 – 29W
 - 1x4 – 29W
- Default CCT: 5,000K
- Glare-free lighting
- IP20 rated
- 100,000 hours lifetime

SUITABLE APPLICATIONS

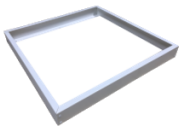
- Warehouses
- Schools
- Factories
- Offices
- Supermarkets
- Logistic Centers
- Exhibition Halls

DLC Product ID:

- LOC-14TROF-DMWMCCT-[Blank,EM]-[Blank,MS,BT] – S-NAKP20
- LOC-22TROF-DMWMCCT-[Blank,EM]-[Blank,MS,BT] – S-YEUDZ5
- LOC-24TROF-DMWMCCT-[Blank,EM]-[Blank,MS,BT] – S-OYRMZ6



MOUNTING OPTIONS:



Surface Mount



Recessed Mount

OPTIONAL ACCESSORIES:



LOC-EMDR-15W-050



LOC-AC-MS-QBL-DH-01
Bi-level daylight
harvesting microwave

LOC-14TROF-DMWMCCT

WATTAGE SELECTABLE	CCT SELECTABLE	LUMENS	EFFICACY	VOLTAGE	CRI	POWER FACTOR	THD	REPLACES
15W	3500K / 4000K / 5000K	1,938LM	129.2lm/W	120-277V	80	0.9	20%	150W HID
19W	3500K / 4000K / 5000K	2,454.8LM	129.2lm/W	120-277V	80	0.9	20%	150W HID
24W	3500K / 4000K / 5000K	3,100.8LM	129.2lm/W	120-277V	80	0.9	20%	150W HID
29W	3500K / 4000K / 5000K	3,746.8LM	129.2lm/W	120-277V	80	0.9	20%	150W HID

LOC-22TROF-DMWMCCT

WATTAGE SELECTABLE	CCT SELECTABLE	LUMENS	EFFICACY	VOLTAGE	CRI	POWER FACTOR	THD	REPLACES
15W	3500K / 4000K / 5000K	1,942.5LM	129.5lm/W	120-277V	80	0.9	20%	150W HID
19W	3500K / 4000K / 5000K	2,460.5LM	129.5lm/W	120-277V	80	0.9	20%	150W HID
24W	3500K / 4000K / 5000K	3,108LM	129.5lm/W	120-277V	80	0.9	20%	150W HID
29W	3500K / 4000K / 5000K	3,755.5LM	129.5lm/W	120-277V	80	0.9	20%	150W HID

LOC-24TROF-DMWMCCT

WATTAGE SELECTABLE	CCT SELECTABLE	LUMENS	EFFICACY	VOLTAGE	CRI	POWER FACTOR	THD	REPLACES
24W	3500K / 4000K / 5000K	3,040.8LM	126.7lm/W	120-277V	80	0.9	20%	200W HID
29W	3500K / 4000K / 5000K	3,674.3LM	126.7lm/W	120-277V	80	0.9	20%	200W HID
32W	3500K / 4000K / 5000K	4,054.4LM	126.7lm/W	120-277V	80	0.9	20%	200W HID
39W	3500K / 4000K / 5000K	4,941.3LM	126.7lm/W	120-277V	80	0.9	20%	200W HID

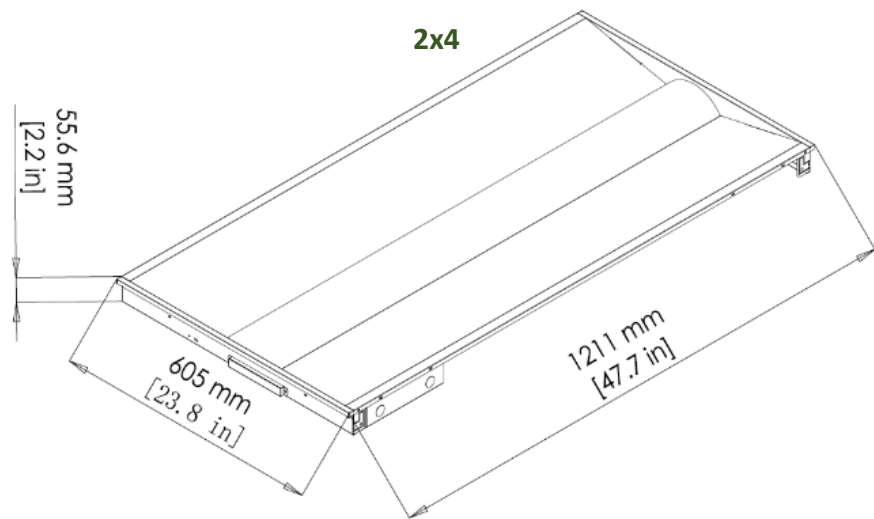
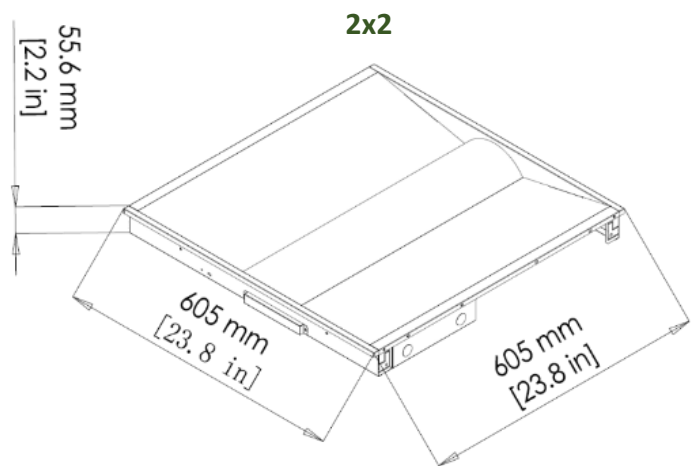
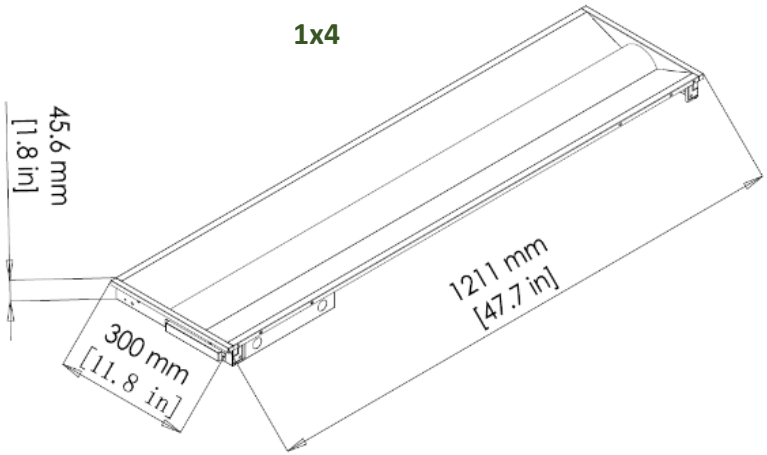
LOC-22TROF-DMWMCCT-EM

WATTAGE SELECTABLE	CCT SELECTABLE	LUMENS	EFFICACY	VOLTAGE	CRI	POWER FACTOR	THD	REPLACES
15W	3500K / 4000K / 5000K	1,942.5LM	129.5lm/W	120-277V	80	0.9	20%	150W HID
19W	3500K / 4000K / 5000K	2,460.5LM	129.5lm/W	120-277V	80	0.9	20%	150W HID
24W	3500K / 4000K / 5000K	3,108LM	129.5lm/W	120-277V	80	0.9	20%	150W HID
29W	3500K / 4000K / 5000K	3,755.5LM	129.5lm/W	120-277V	80	0.9	20%	150W HID

LOC-24TROF-DMWMCCT-EM

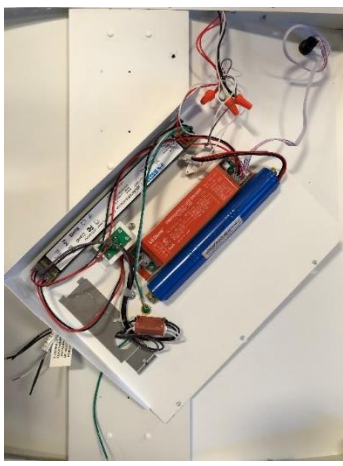
WATTAGE SELECTABLE	CCT SELECTABLE	LUMENS	EFFICACY	VOLTAGE	CRI	POWER FACTOR	THD	REPLACES
24W	3500K / 4000K / 5000K	3,040.8LM	126.7lm/W	120-277V	80	0.9	20%	200W HID
29W	3500K / 4000K / 5000K	3,674.3LM	126.7lm/W	120-277V	80	0.9	20%	200W HID
32W	3500K / 4000K / 5000K	4,054.4LM	126.7lm/W	120-277V	80	0.9	20%	200W HID
39W	3500K / 4000K / 5000K	4,941.3LM	126.7lm/W	120-277V	80	0.9	20%	200W HID

MEASUREMENTS



MODEL	QUANTITY	WEIGHT	UPC CODE
LOC-14TROF-DMWMCCT	1	6.75 lbs	00815586029921
LOC-22TROF-DMWMCCT	1	7.4 lbs	00815586020638
LOC-24TROF-DMWMCCT	1	11.15 lbs	00815586020553
LOC-22TROF-DMWMCCT-EM	1	lbs	00810050940726
LOC-24TROF-DMWMCCT-EM	1	lbs	00810050940719

15W Emergency Battery



Emergency Test Button

